



The Valiant Ground Light is a robust and reliable lighting solution, constructed from 304 stainless steel for durability and rated to IP67, ensuring it is dust-tight and water-resistant. This ground light features Aquastop Technology, providing additional protection against moisture ingress.

It includes a 1.2W LED array that operates on a 220-240V AC mains voltage, delivering efficient lighting performance. The light is equipped with ultra-tough polycarbonate optics, making it ideal for use in high-traffic areas.

1.2W  
3000K  
60°  
CRI:80  
240V  
IP67

Body Material: 304 Stainless Steel  
2.5M Pre-Wired Tough Rubber Cable  
Mounting Sleeve Included  
Cutout: 32mm-35mm  
Dia: 40mm  
Fitting: L: 37mm W: 30mm  
Tube: L: 68mm W: 40mm

0207 924 2055  
sales@superlites.co.uk  
www.superlites.co.uk



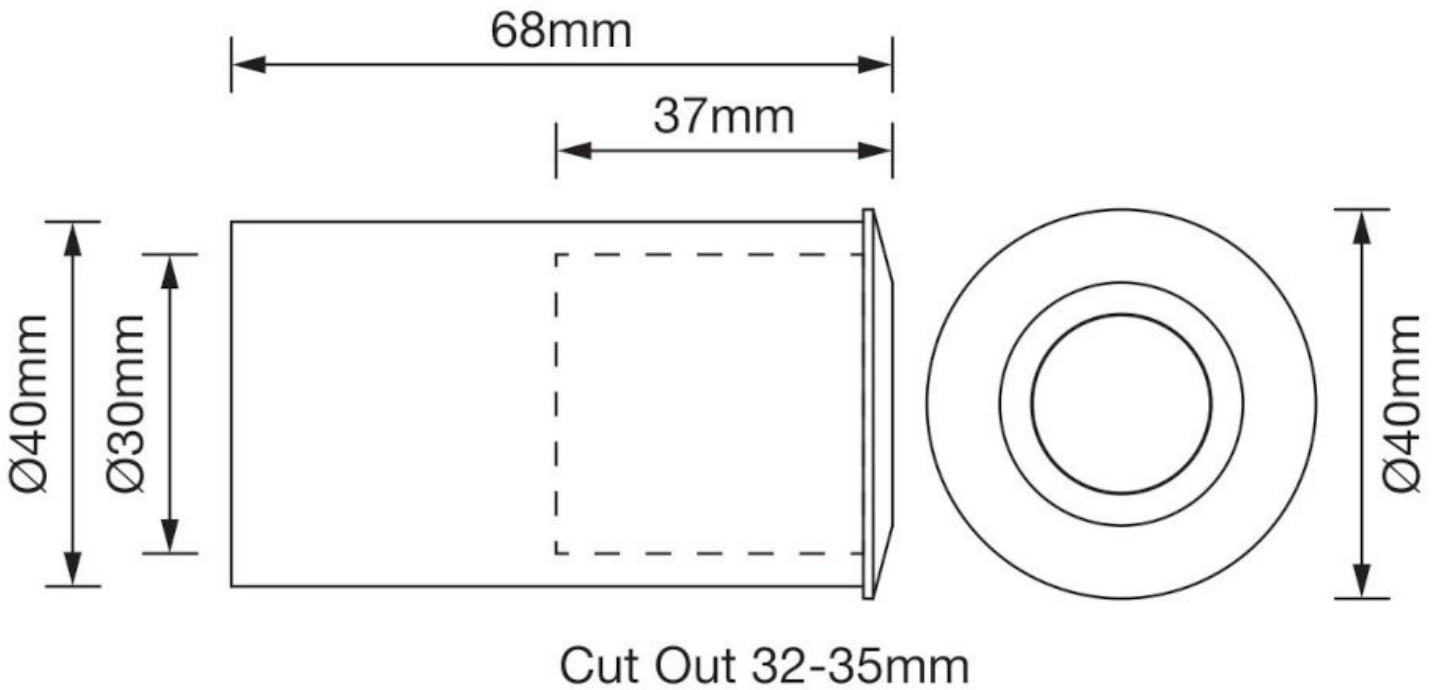
# AL-AGLM01/SS/30



It can withstand up to 2 metric tonnes of pressure when used with its mounting sleeve, ensuring resilience and longevity.

Installation is straightforward with the included mounting sleeve and a 2.5-metre pre-wired rubber cable, providing flexibility and ease of connection.

The Valiant is perfect for both residential and commercial applications, offering a combination of durability, safety, and high performance.



0207 924 2055  
sales@superlites.co.uk  
www.superlites.co.uk

