

# AS-1115007 Goya 460 LED



Brushed nickel finish

7.1W LED strip

821lms

2700k

Non-dimmable

IP20 rated

Class 1, earthed

Includes integral LED driver

H: 50mm W: 460mm D: 210mm



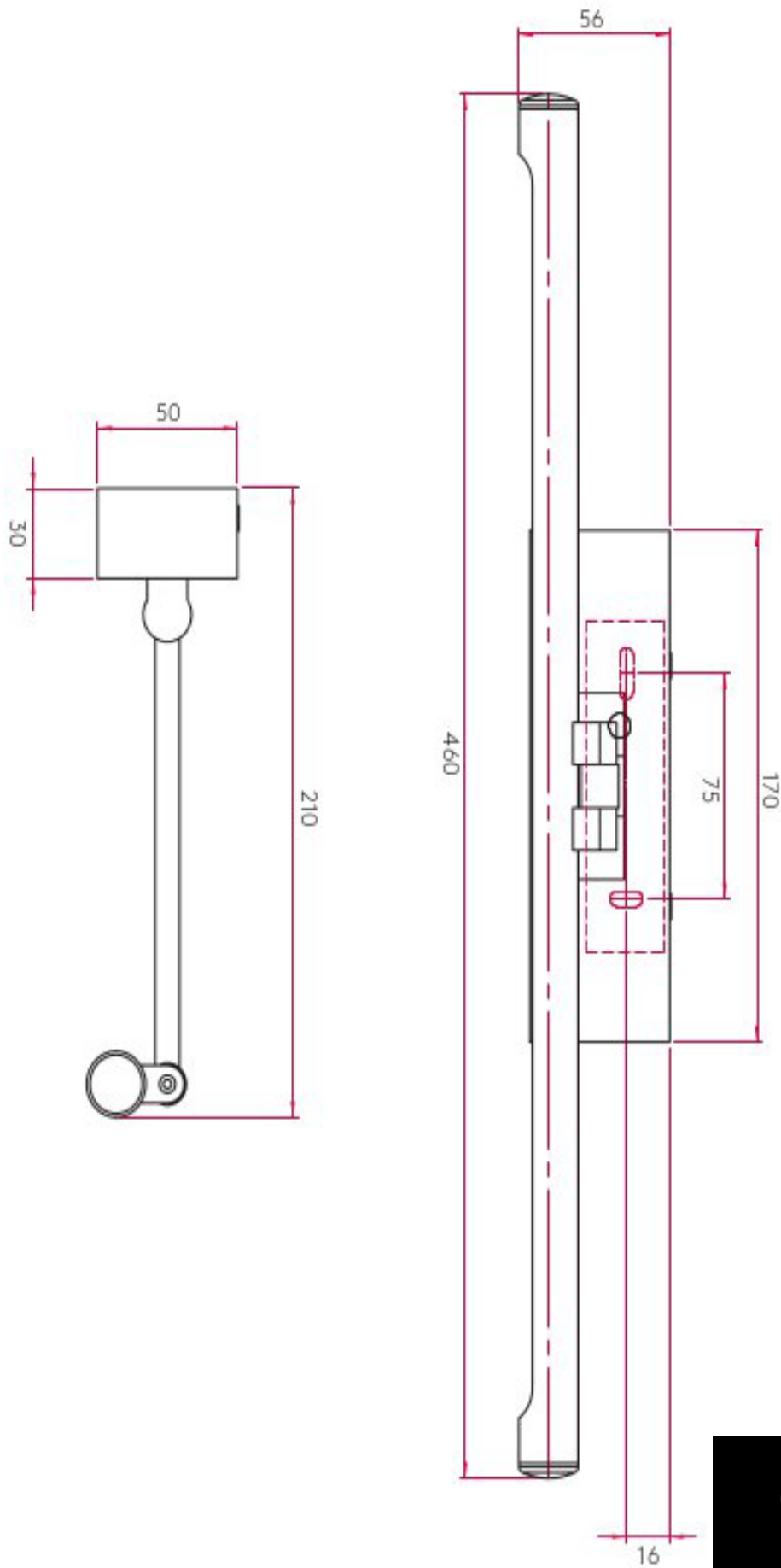
BN

*Superlites*



205 St John's Hill  
Battersea, London  
SW11 1TH  
sales@superlites.co.uk  
T:02079242055  
F:02079245411

# AS-1115007 Goya 460 LED



*Superlites*



205 St John's Hill  
Battersea, London  
SW11 1TH

[sales@superlites.co.uk](mailto:sales@superlites.co.uk)

T: 02079242055

F: 02079245411

