

AS-1306006

Calvi Pendant 215



Antique Brass finish
Clear glass
60w E27
IP23 rated.
Class II, double insulated
Dimmable
Non Switched
Overall: 1360mm
W: 150mm D: 215mm

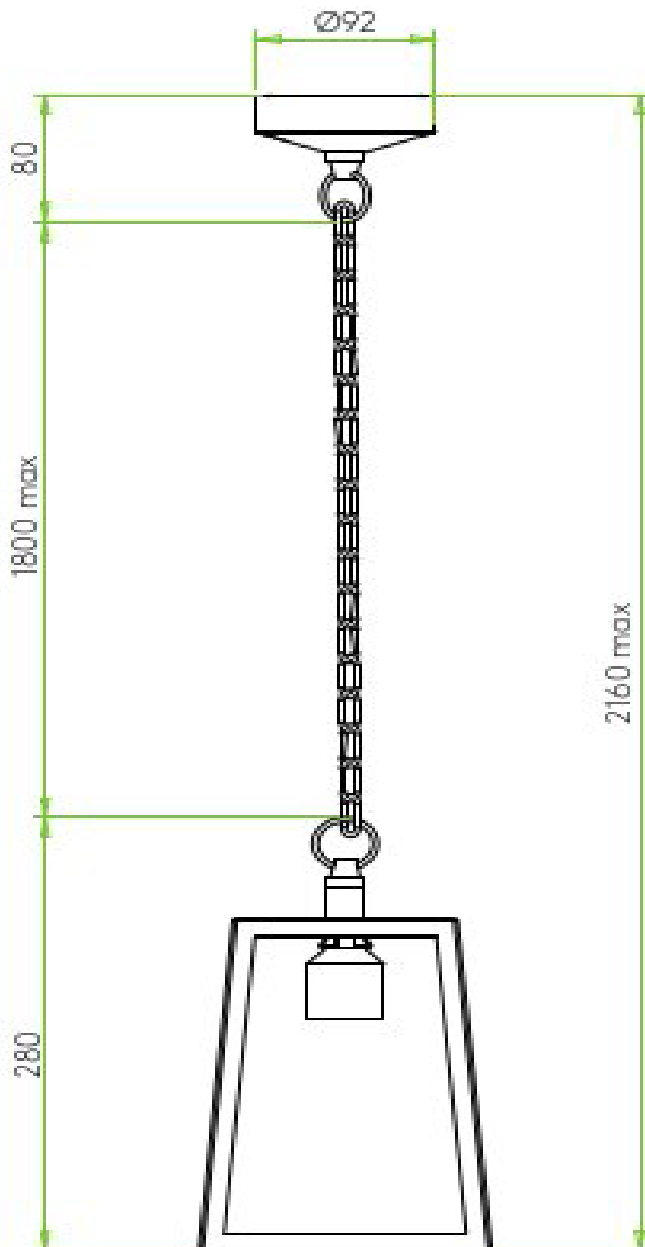
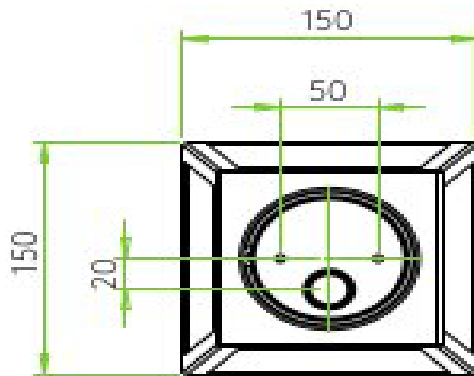


0207 924 2055
sales@superlites.co.uk
www.superlites.co.uk



AS-1306006 Calvi Pendant 215

Superlites



0207 924 2055
sales@superlites.co.uk
www.superlites.co.uk

