

AS-1352043

Edge Reader Mini

Superlites



Lamp Type & Wattage: 9.7W LED
Lamp Type & Wattage Secondary: 4.1W LED
2700k
Lumen Output: 112lms
Lumen Output Secondary: 149lms
CRI: 80
Secondary CRI: 90
Secondary Beam Angle: 19°
IP20
Class 1
Switched
Non-Dimmable
Tilt Adjustable Angle: 90°
Rotation Adjustable Angle: 330°
Adjustable: Yes
Finish: Matt White
H: 241mm W: 151mm D: 88mm



PART
L

0207 924 2055
sales@superlites.co.uk
www.superlites.co.uk

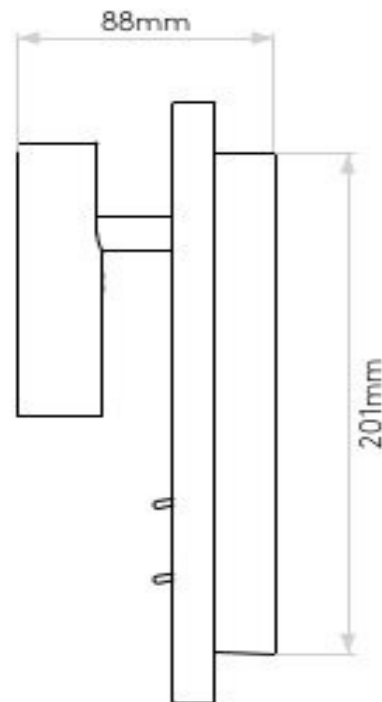
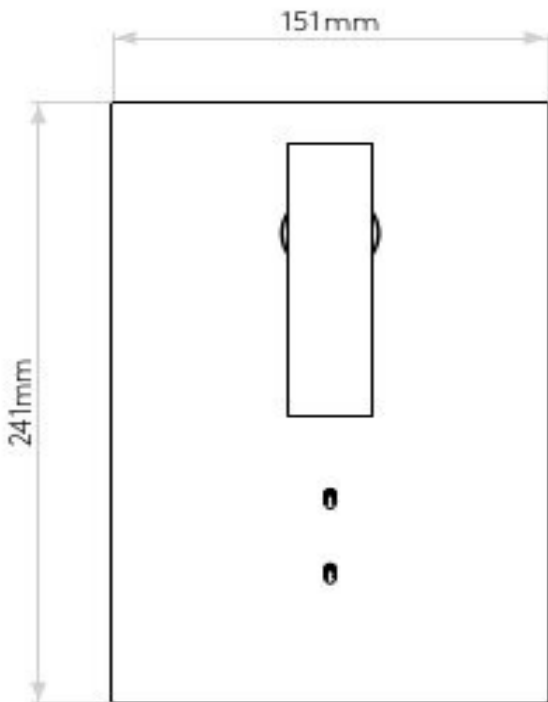
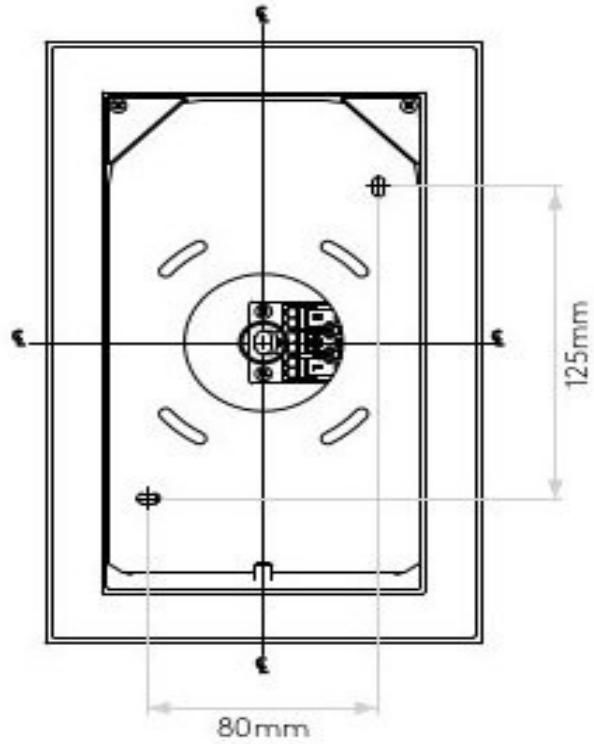
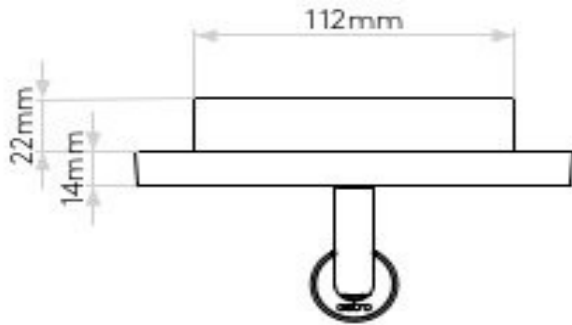


AS-1352043

Edge Reader Mini



Wall Mount - Vertical
Wall Mount - Horizontal



0207 924 2055
sales@superlites.co.uk
www.superlites.co.uk

