

# AS-1388001

## Deauville Wall

**Superlites**



Can only be used in the bathroom when combined with the glass shade

Polished Chrome finish

Dimmable

Non-switched

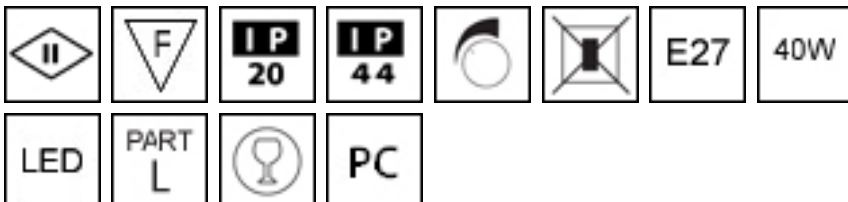
Class 2

IP44 (with glass shade AS-5033005 only)

IP20

1 x 40w E27

H: 428mm W: 84mm D: 136mm



**0207 924 2055**  
**sales@superlites.co.uk**  
**www.superlites.co.uk**

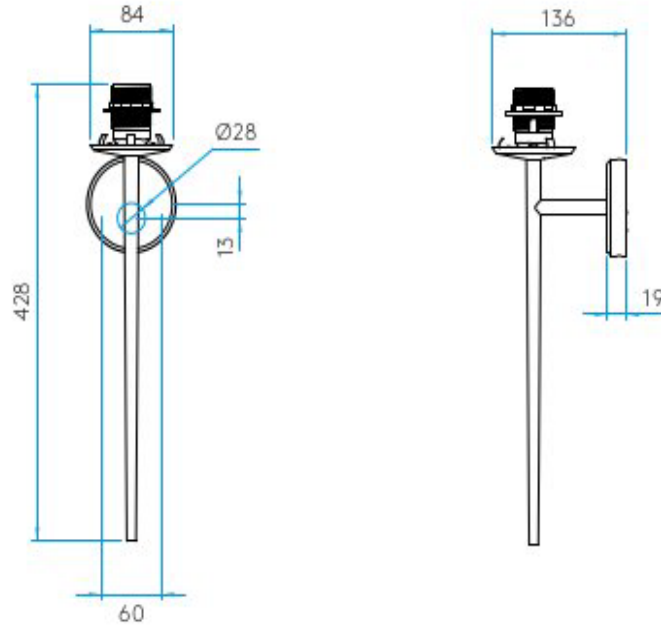


# AS-1388001

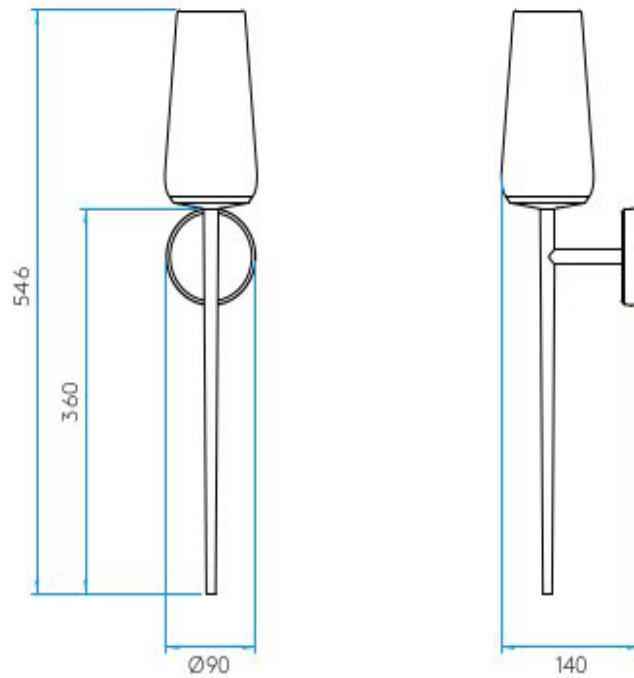
## With Glass shade IP44



WITHOUT SHADE



WITH GLASS SHADE



0207 924 2055  
sales@superlites.co.uk  
www.superlites.co.uk

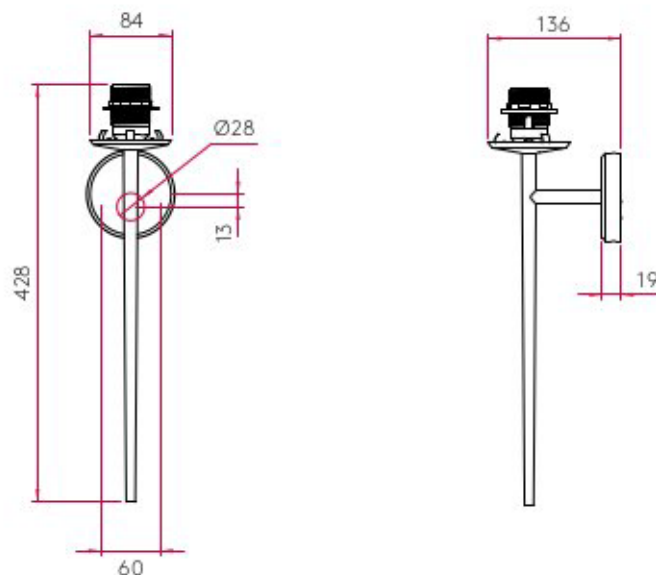


# AS-1388001

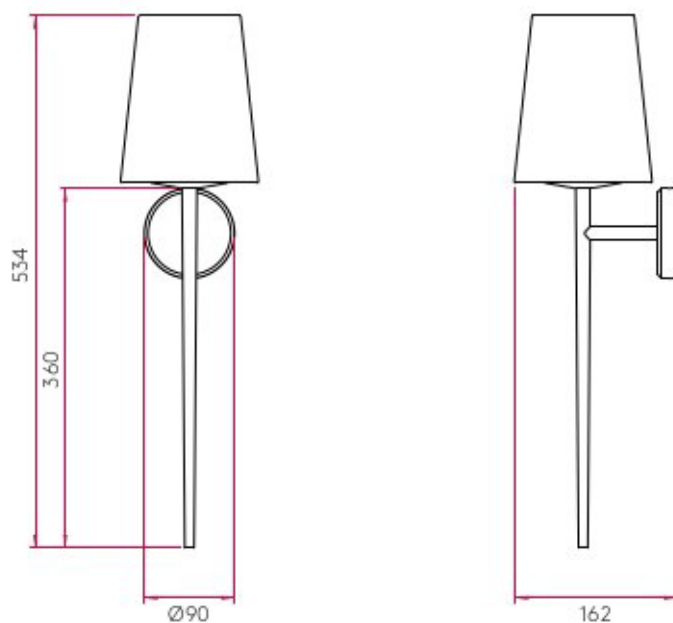
## With Fabric shade IP20

Superlites

WITHOUT SHADE



WITH FABRIC SHADE



0207 924 2055  
sales@superlites.co.uk  
www.superlites.co.uk

