



Output Voltage: 2-12Vdc
Max Output Voltage: $\leq 22V$
Output Current: 350-700mA
load power range: Max 9W
Load Power Range: 0.7W-8.4W
Dimming Range: 0~100%, down to 0.01%
Dimming interface: Triac leading edge/ELV trailing edge
Input Voltage: 220-240Vac
Frequency: 50/60Hz
Working Temperature: ta: -20 ~ 45°C tc: 90°C

Dimension

L: 111mm W: 35mm H: 20mm

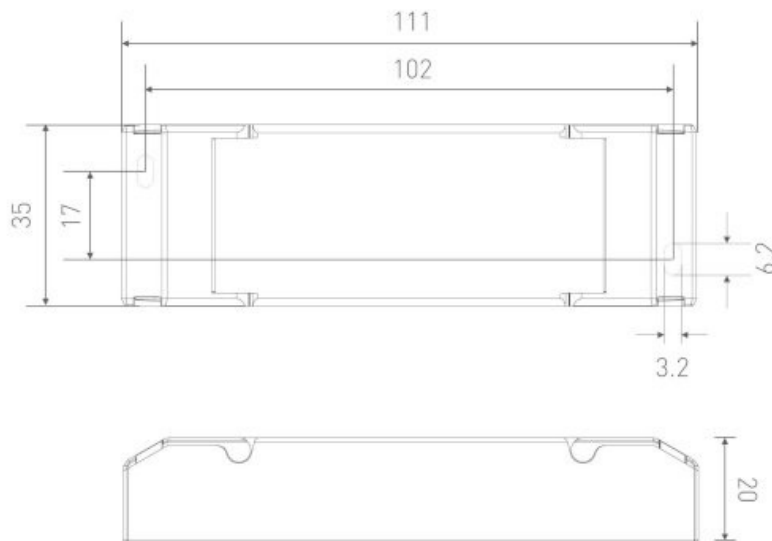
Over-heat Protection: Intelligently adjust or turn off the current output if the PCB temperature $\geq 110^{\circ}C$. When the PCB temperature $< 90^{\circ}C$, automatically recover normal output.

Over load protection: Shut down the output and recover automatically once it exceeds 1.02-1.35 times of the rated power.
Short Circuit protection: When short circuit occurs, shut down the output and recover automatically.

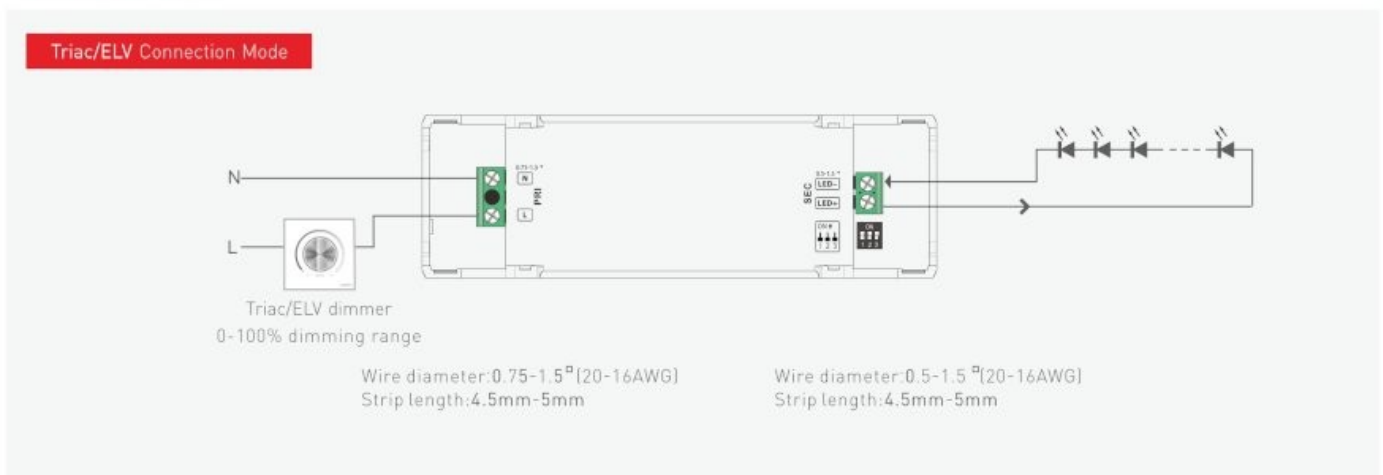


Product Size

Unit: mm



Wiring Diagram



Adopt SAMSUNG/COVESTRO V0 flame resistant polycarbonate protective housings with small size and light weight.

The clamshell design and screwless type for strain-relief, tensile strength of wires complies with the 0.5-1.5mm² wire diameter 60N tensile test, and complies with the tensile test standard GB7000.1-2015/IEC60598-1 : 2014.

Soft-on and fade-in dimming function enhances your visual comfort.

T-PWM dimming technology allows continuous and flicker-free images under high-speed shooting.

Dimming from 0~100%, down to 0.01%.

0-100% flicker-free dimming with high frequency exemption level.

Innovative thermal management technology protects the power life intelligently.

Overvoltage, overload, short circuit protection and automatic recovery.

Suitable for indoor light applications of I / II / III type.

