

COMBI 1010

Superlites



Equipment:

- 10 knockouts side 5x M25/M32; 2x M20; 3x M20/M25
- 4 knockouts in the bottom 2x M25/M32; 2x M20/M25
- 4 captive cover screws
- including QUIXX EMS self-sealing membrane screw 2x M25; 1x M32

Mounting:

4 internal openings outside of the sealing area

IP66: using the QUIXX self sealing membrane screw

IP67: using the knockout entry together with ESKV cable gland

Material: Polypropylene

Glow wire test: 750°C

Voltage: 690V

Rated cross section: 10mm²

Fixing 4 internal openings

Ø cable diameter min: 6mm

Ø cable diameter max: 21mm

External dimensions:

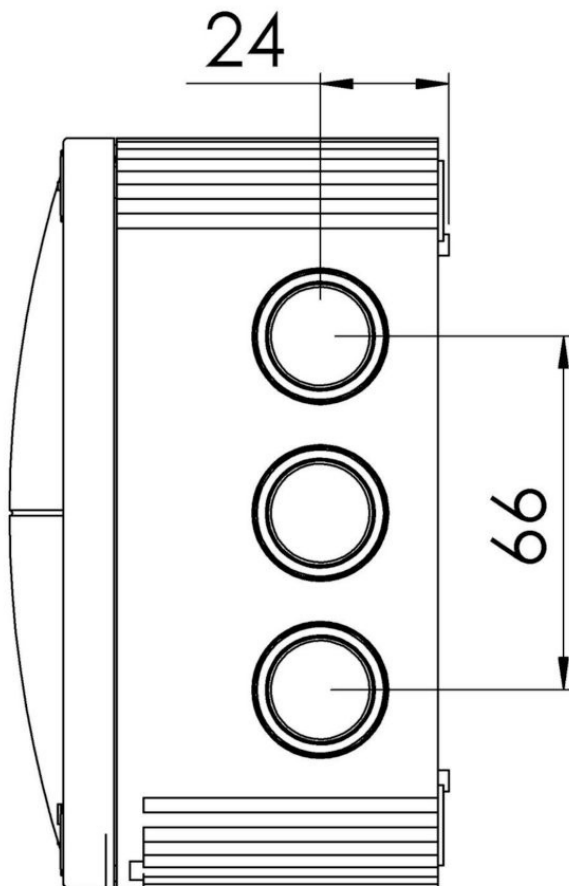
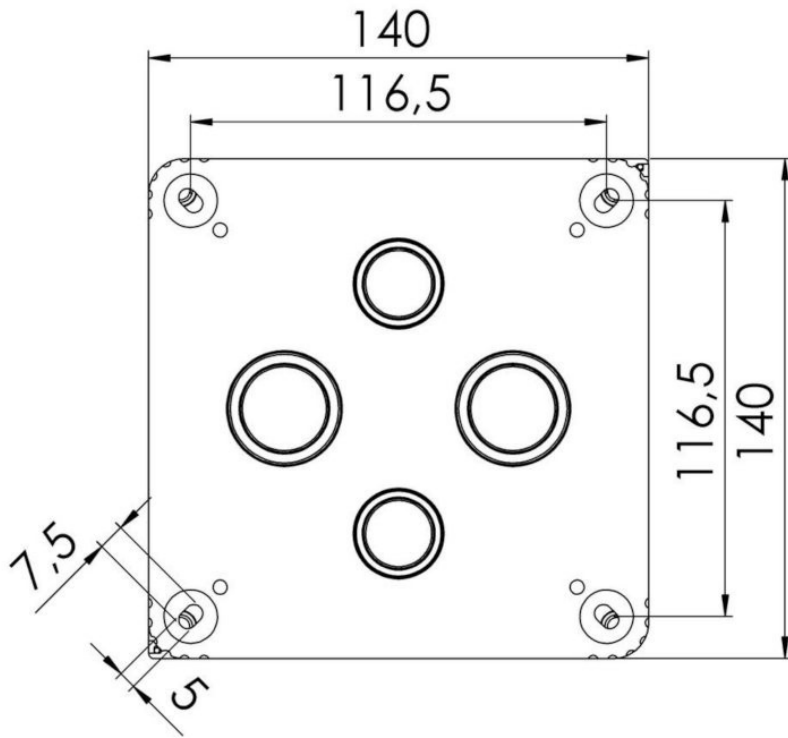
L: 140mm W: 140mm H: 82mm

0207 924 2055
sales@superlites.co.uk
www.superlites.co.uk



COMBI 1010

Superlites



0207 924 2055
sales@superlites.co.uk
www.superlites.co.uk

