



Compact, lightweight spotlights for mains track or surface mounting. Particularly suitable where the benefits of 12V lighting are required with the flexibility of a mains-voltage installation. High-intensity light output, Bright, white light, Precise beam control. Wide selection of wattages and beam angles. Energy saving and longer lamp life compared with standard incandescent lamps.

Black, White, Silver Grey spotlight

IP Rating: 20

Weight: 0.16kgs

Input Voltage: 240V

Uses 1 x MR16 20-50W lamp

Lampholder: GX5:3/GU5.3 lamp

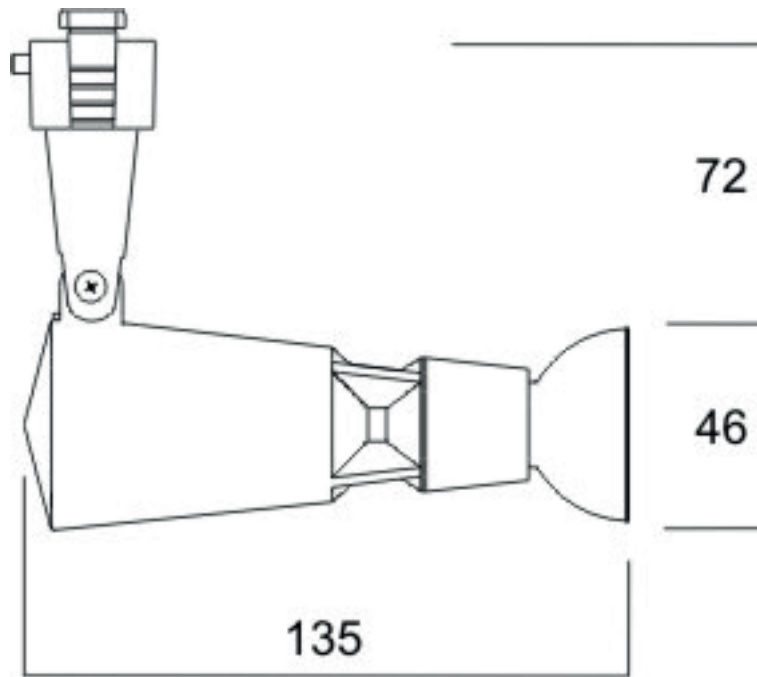
Dimming: Suitable for dimming with standard dimmers

Pendant Stem Length: 300/500/1000mm

H: 72mm L: 135mm W: 46mm

Electrostar

Superlites



0207 924 2055
sales@superlites.co.uk
www.superlites.co.uk

