



Machined from 10mm thick aluminium with a UV stable powdercoated finish, solid copper, or 316 stainless steel, clear tempered glass lens and high temperature silicon gaskets.

LED Chip: Cree XHP-50-2 Plug and Play field replaceable LED board

Output: 600 lumens @ 1050mA

Lumens Per Watt: 100 lumens @ 6 watts

600 Lumens @ 1050mA (6 watts),

420 Lumens @ 700mA (4 watts),

240 Lumens @ 350mA (2 watts),

Colour Temp: 2700K, 3000K, 4000K

CRI Warm White: 90+

Beam Angles: 15°, 25°, 38°, 60°

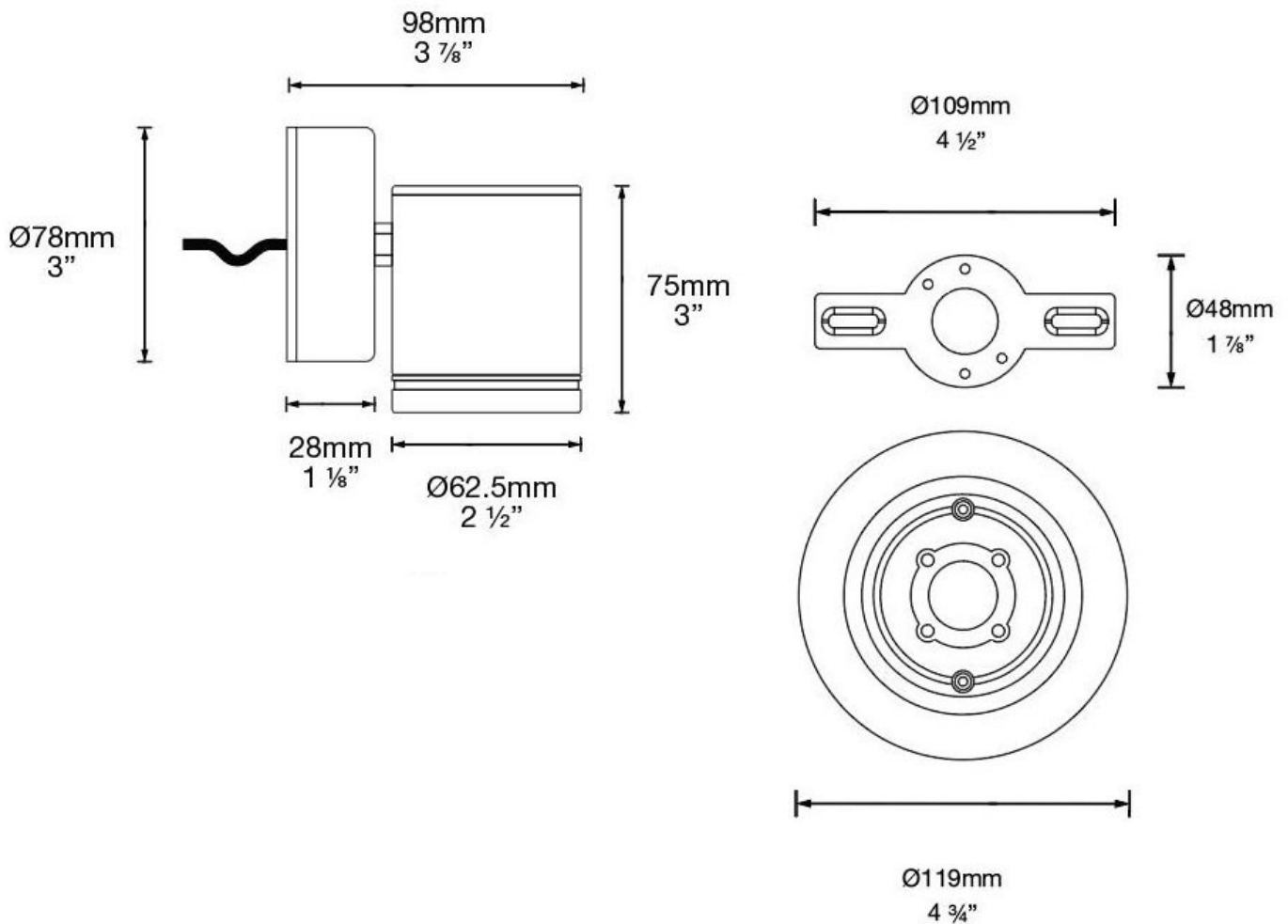
Depth: 98mm Height: 78mm

Finishes: Eco Matt Black, Copper, Stainless Steel, Powder Coated (Bronze, Dark Grey, Corten, Olive Green, Silver Star, Arctic White, Fine Silver, White Birch)

HUN-DL-PL

Superlites

The Hunza Wall Down Lite has a fixed head. Suitable for mounting on timber, masonry, stone, etc. this luminaire is ideal for direct downlighting on walls, doorways, fences etc. alternatively positioned low for uplighting where it is not possible to use a spiked fitting. A diverse product that meets the demands of today's exterior lighting schemes.



USA Wall Box Adaptor and Wall Plate
(Included with USA Wall Mount fixtures)

0207 924 2055
sales@superlites.co.uk
www.superlites.co.uk

