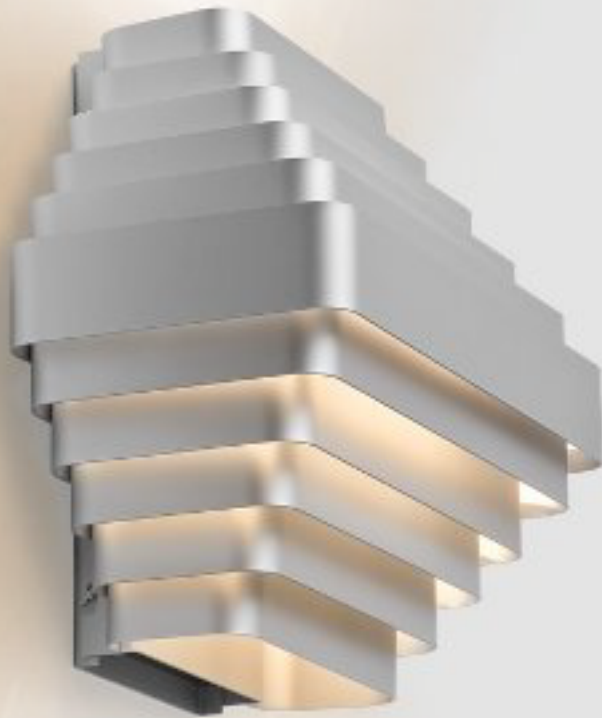


J.J.W.01

Superlites



2 x ES
53W
E27
IP20
220-240V
AC50-60Hz
Aluminium lacquered
Gold/Silver-Grey
H: 300mm W: 187mm L: 350mm

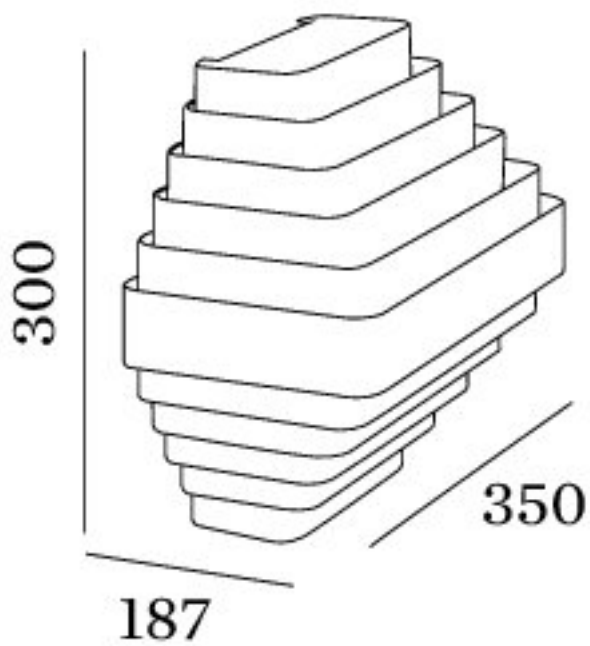


0207 924 2055
sales@superlites.co.uk
www.superlites.co.uk



J.J.W.01

Superlites



0207 924 2055
sales@superlites.co.uk
www.superlites.co.uk

