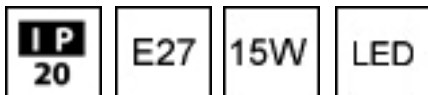


Mirro Suspended 2.0

Superlites



ES
15W
G95
IP20
aluminium
steel powder coated
aluminium composite panel
Gold mirror, Silver mirror
Max drop: 2 Meter
Base dia: 84mm
Fitting Dia: 450mm H: 200mm

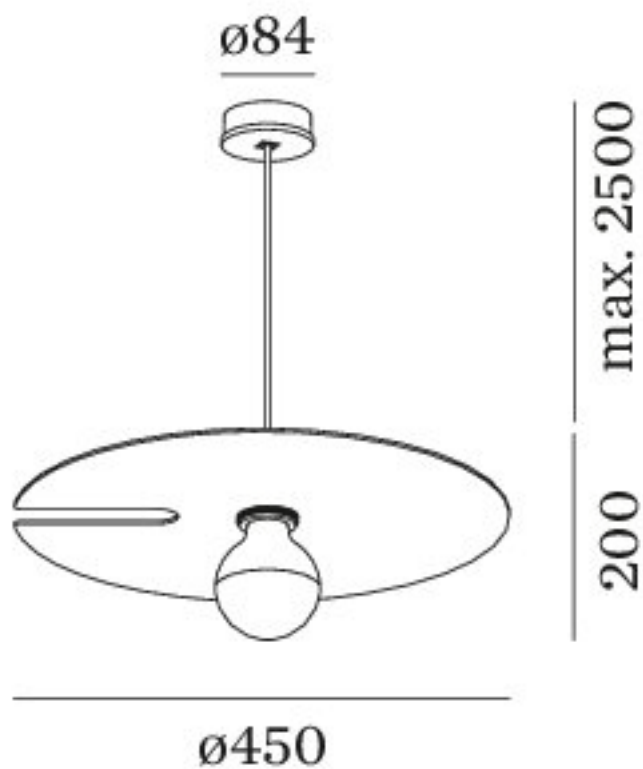


0207 924 2055
sales@superlites.co.uk
www.superlites.co.uk



Mirro Suspended 2.0

Superlites



0207 924 2055
sales@superlites.co.uk
www.superlites.co.uk

