

These products require an LED driver - DO NOT CONNECT DIRECTLY TO MAINS POWER! Connecting or disconnecting these luminaires while powered will damage the LED



Tilt & Rotate Downlight

11.4W

Class 3

IP54 Standard

IP65 optional

26° - 635lms - 11.4W

42° - 650lms - 11.4W

50° - 610lms - 11.4W

Rotation: 360°

2700k

CRI98

Cutout: 72mm

Lens: 51mm

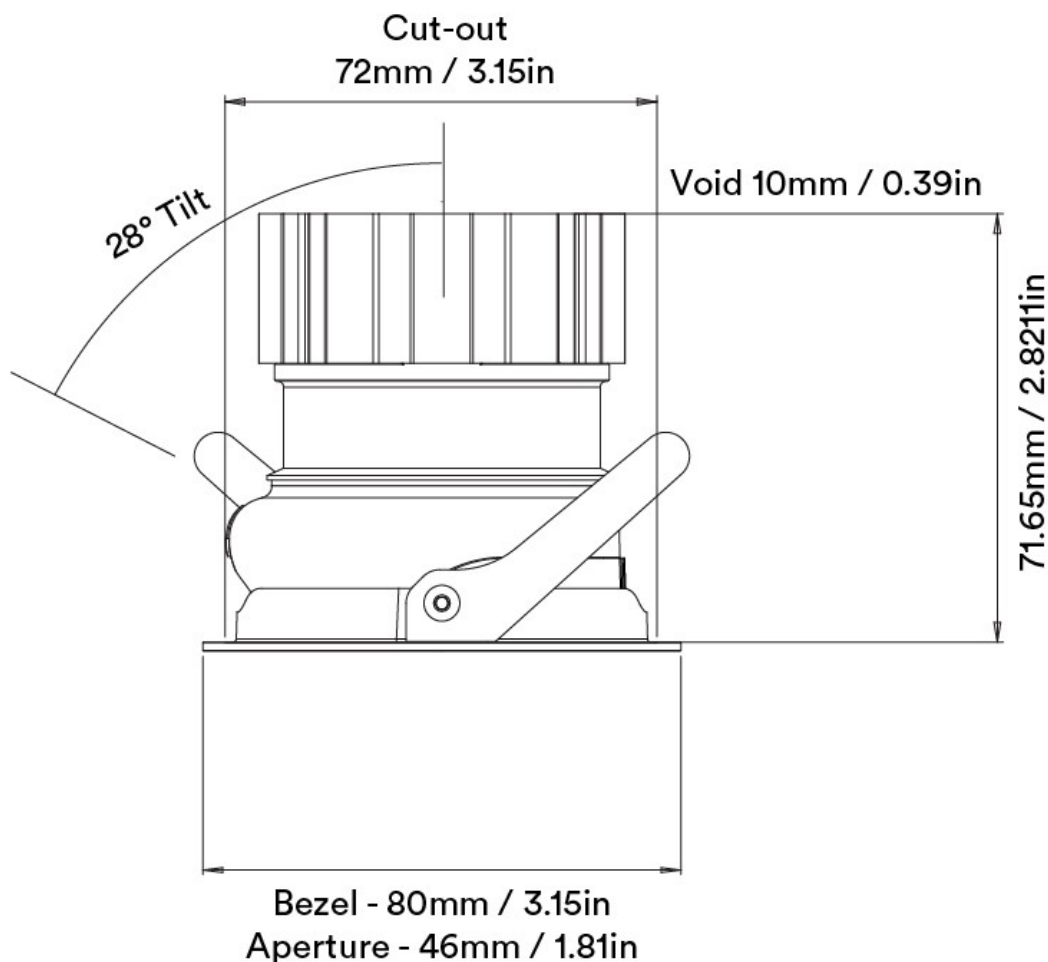
H: 75mm W: 80mm

Must have 10mm void space above fitting.



NL-DIR

These products require an LED driver - DO NOT CONNECT DIRECTLY TO MAINS POWER! Connecting or disconnecting these luminaires while powered will damage the LED



**Unit height increases by
21.65mm / 0.85in
for spot and elliptical beams**

