



## One Adjustable Downlight

11.4W

Class III

IP54 Standard

IP65 Optional

26° - 588lms - 11.4W

41° - 596lms - 11.4W

48° - 576lms - 11.4W

55° - 600lms - 11.4W

Tilt: 28°

2700k

CRI98

Cutout: 72mm

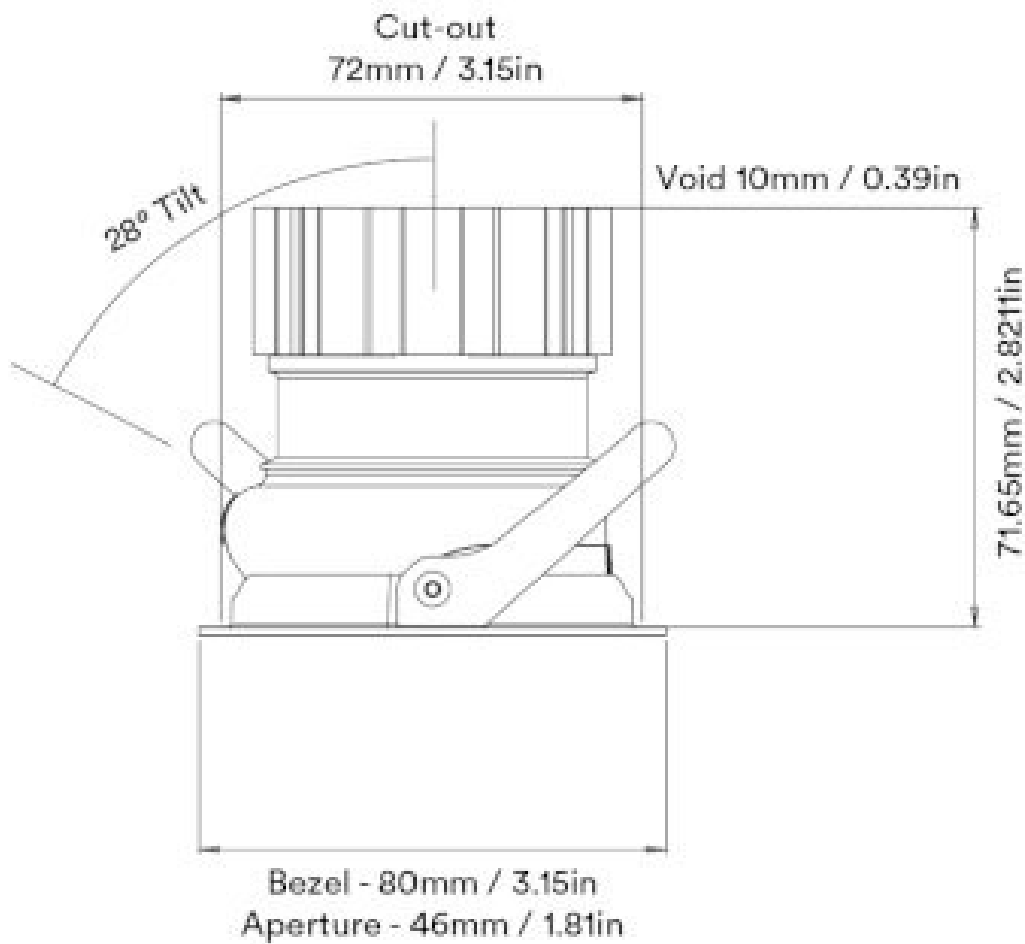
H: 72mm W: 80mm

Must have 10mm void space above fitting.

**These products require an LED driver - DO NOT CONNECT DIRECTLY TO MAINS POWER! Connecting or disconnecting these luminaires while powered will damage the LED.**

0207 924 2055  
sales@superlites.co.uk  
www.superlites.co.uk





Unit height increases by  
21.65mm / 0.85in  
for spot and elliptical beams