

PAR16-PH-DT

Superlites



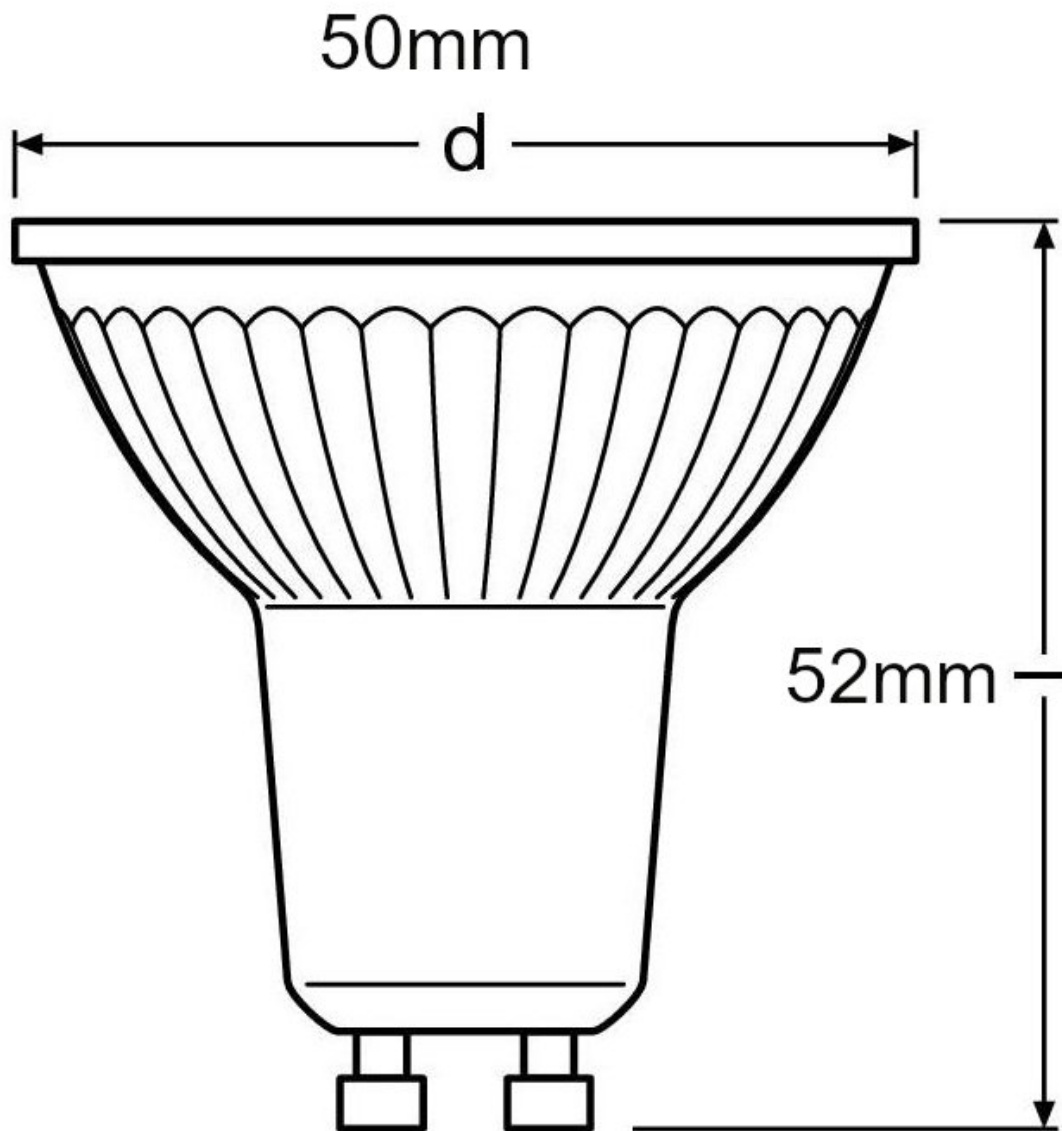
4.9W - 355lms
3.7W - 270lms
36°
2700K-2200K
927
CRI:90
GU10
220-240V
Dimmable
Dim to warm

0207 924 2055
sales@superlites.co.uk
www.superlites.co.uk



PAR16-PH-DT

Superlites



0207 924 2055
sales@superlites.co.uk
www.superlites.co.uk

