

# PAR16-SOB3

**Superlites**



PAR16-SOB3 lamps deliver a highly efficient, high-lumen solution, designed to meet stringent energy standards. Combining excellent colour performance and world class optics, These lamps are suited to a broad range of applications and offered at an affordable price point.

## 7.5W Lms

2700K	3000K
10° - 620lms	10° - 620lms
25° - 650lms	25° - 650lms
36° - 650lms	36° - 650lms
60° - 650lms	60° - 650lms

## 9W Lms

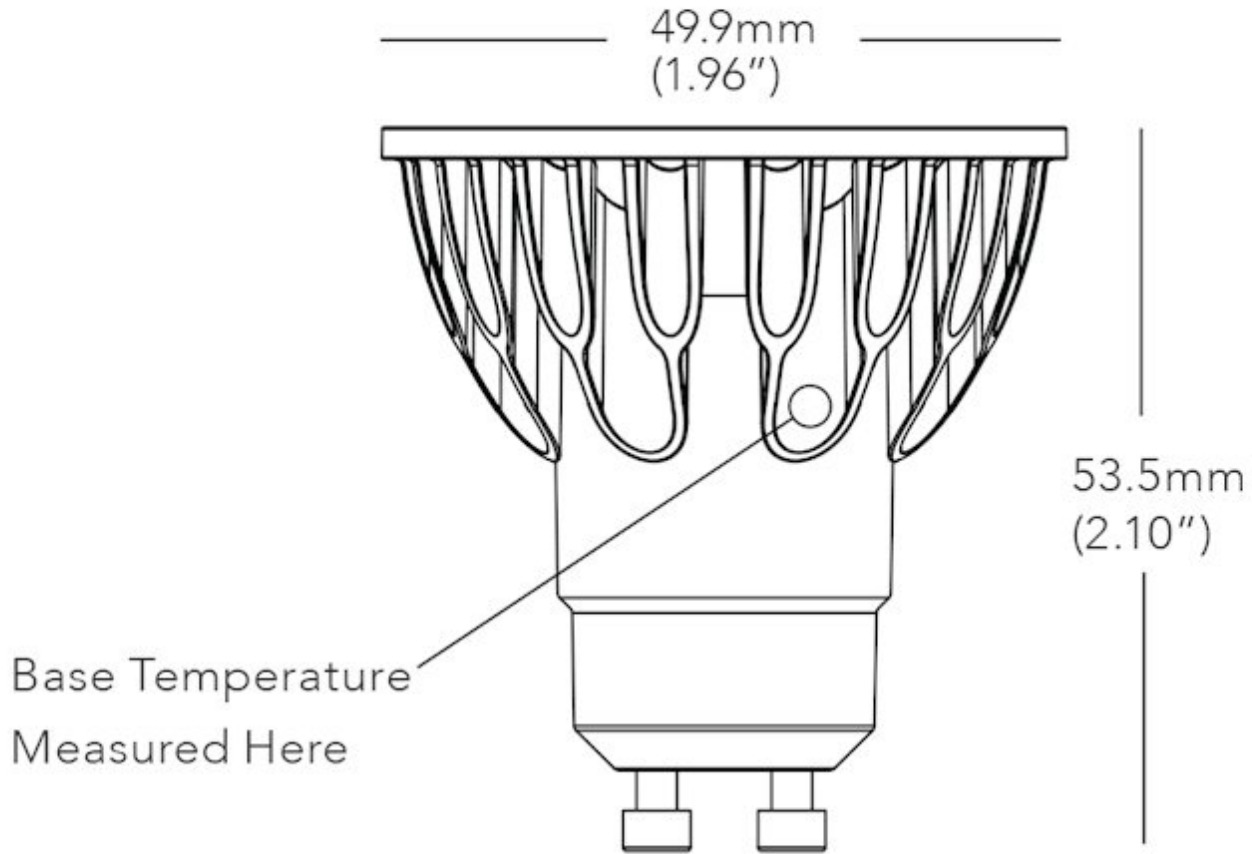
2700K	3000K
25° - 720lms	25° - 730lms
36° - 720lms	36° - 730lms
60° - 720lms	60° - 730lms

**0207 924 2055**  
**sales@superlites.co.uk**  
**www.superlites.co.uk**



# PAR16-SOB3

**Superlites**



0207 924 2055  
sales@superlites.co.uk  
www.superlites.co.uk

