

# Train 2.0 Exterior

Superlites



7.9W LED

3000k

510lms

CRI 90

IP65

Signal White

Jet Black

H: 120mm L: 50mm W: 50mm

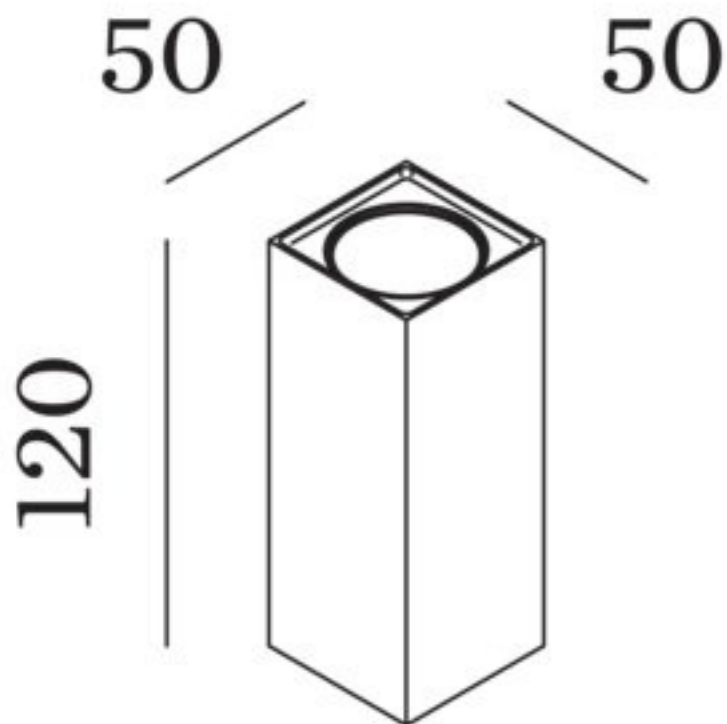


0207 924 2055  
sales@superlites.co.uk  
www.superlites.co.uk



# Train 2.0 Exterior

**Superlites**



0207 924 2055  
sales@superlites.co.uk  
www.superlites.co.uk

