



As the luminaire dims gently, the light colour gradually “warms” from 2700 Kelvin to a glowing warm 1800 Kelvin.

Smooth defined single beam

Consistent colour and intensity across the beam

Accurate beam angles – TruBeam

True colours – 95 CRI

The beam maintains its shape throughout the dimming cycle

Warm to dim Fixed Downlight

11.6W

Class 3

IP54 Standard

IP65 optional

26° - 584lms

45° - 587lms

52° - 580lms

1800K - 2650K

CRI95

Cutout: 72mm

H: 85mm W: 96mm

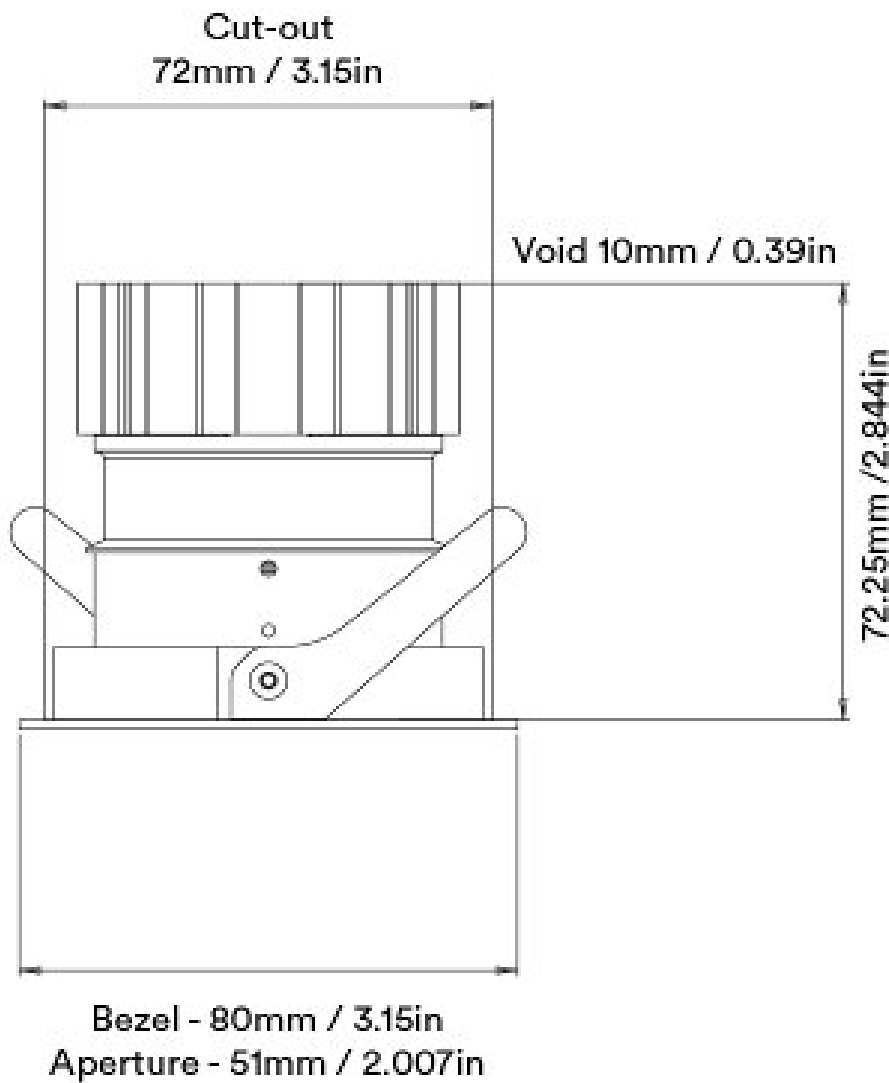
Must have 10mm void space above fitting.

0207 924 2055

sales@superlites.co.uk

www.superlites.co.uk





**Unit height increases by
21.65mm / 0.85in
for spot and elliptical beams**